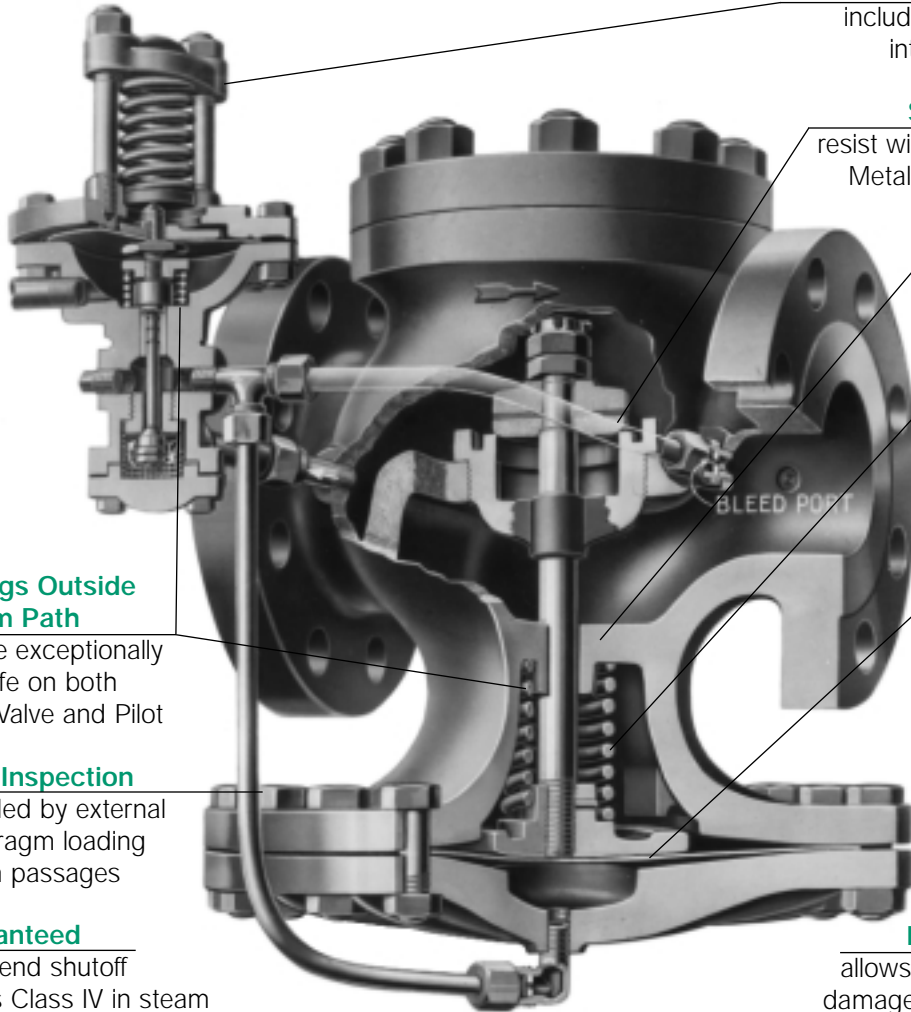


## Applications

- Pressure Regulation for Steam Distribution
- Single Point or Multiple Use Applications
- Pressure Control for Steam Plants
- District Heating Systems
- Single Stage Reduction Stations
- Two Stage Reduction Stations
- Parallel Reduction Stations

# Iron Horse ED Series Pilot Operated Pressure Regulator

3/8" to 12" in Cast Iron &  
Cast Steel Class 600



### Three Pilot Mounting Options

include standard side mount (shown),  
integral mount and remote mount

### SECO Metal Seats and Discs

resist wiredraw - not one case of SECO  
Metal being cut by steam in 75 years

### Packless Construction

eliminates leakage and greatly  
reduces friction and stem wear

### Two Main Spring Options

for superior regulation over  
a wide range of applications

### Large, Protected Metal Diaphragm

bathed in condensate,  
sealed away from steam  
seldom needs replacement

### No Closely Fitted Parts

to stick or bind due to  
uneven expansion  
or foreign matter

### Few Moving Parts

mean long service life

### Patented SECOWELD Option

allows easy repair of seat ring threads  
damaged by high pressure applications

### Springs Outside Steam Path

assure exceptionally  
long life on both  
Main Valve and Pilot

### Easy Inspection

provided by external  
diaphragm loading  
steam passages

### Guaranteed

dead end shutoff  
meets Class IV in steam  
service, even on large sizes



A division of CIRCOR International, Inc.

**SPENCE ENGINEERING COMPANY, INC.**  
150 Coldenham Road, Walden, NY 12586  
(845) 778-5566 • Fax: (845) 778-1072  
[www.spenceengineering.com](http://www.spenceengineering.com)